



## Climax Metal Products Company

8141 Tyler Boulevard  
Mentor, Ohio 44060  
USA

Toll free: 800-542-6552

Phone: 440-585-0300

Fax: 800-860-5553

Email: [sales@climaxmetal.com](mailto:sales@climaxmetal.com)

Website: [www.climaxmetal.com](http://www.climaxmetal.com)

## ITEM # 2C-050, TWO-PIECE, CLAMPING COLLAR- 2C-SERIES

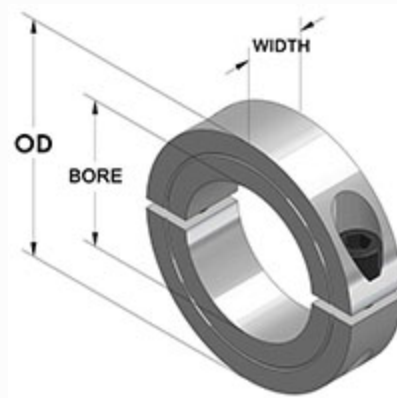
Black Oxide Plated Steel Two-Piece Clamping Collar. Design fully engages the shaft without marring. Easily installed where major disassembly would otherwise be required. Greater axial holding power than set screw or one-piece clamping collars. Effective on hard & soft shafts.



[Drawing](#) | [Specifications](#) | [Regulation & Compliance](#)

### Drawing

### Dimensional Drawing



Two-Piece Clamping Collar

Need Help?

## Specifications

<b>Bore</b>	1/2 in
<b>OD</b>	1 1/8 in
<b>Width</b>	13/32 in
<b>Style</b>	Two-Piece Clamp
<b>Material</b>	Steel, ASTM A108
<b>Finish</b>	Black Oxide
<b>Clamp Screw</b>	Hex Socket Cap Screw, 3A Thread, Steel, ASTM A574: 8-32 x 1/2
<b>Recessed Screw</b>	No
<b>Approximate Weight</b>	1.26 oz
<b>UPC Code</b>	044861247433
<b>Downloads</b>	<a href="#">Catalog Page</a>

## Regulation & Compliance

[REACH Compliance Statement](#)

[RoHS 3 Compliance Statement](#)

[Disclosure of Conflict Minerals and Materials](#)

[California Propostion 65 Warning](#)

[Toxic Substances Control Act TSCA](#)

[DFARS Compliance Statement](#)

[Safety Data Sheet](#)

[ISO Certificate](#)

