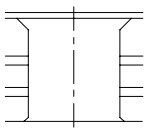
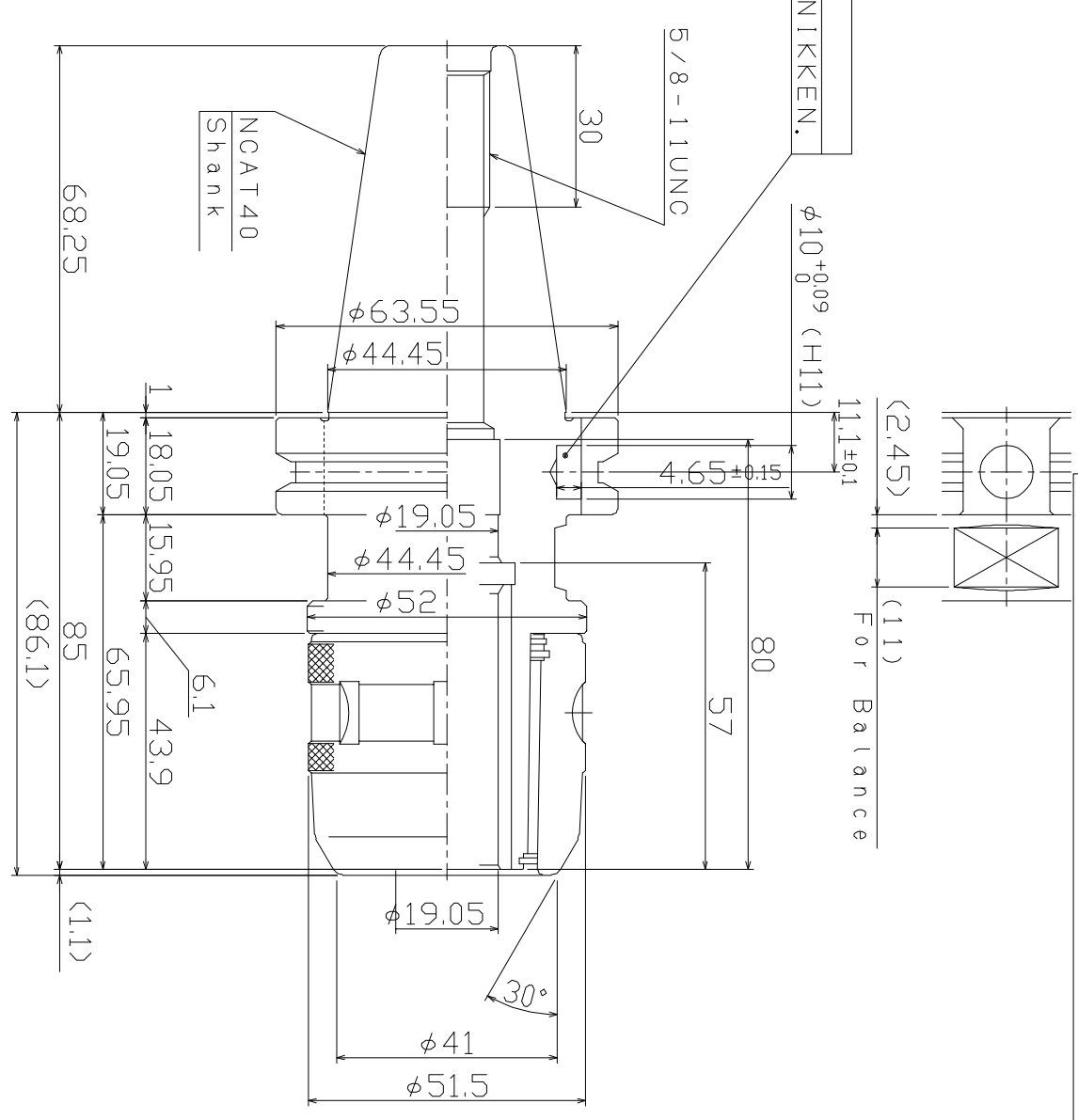
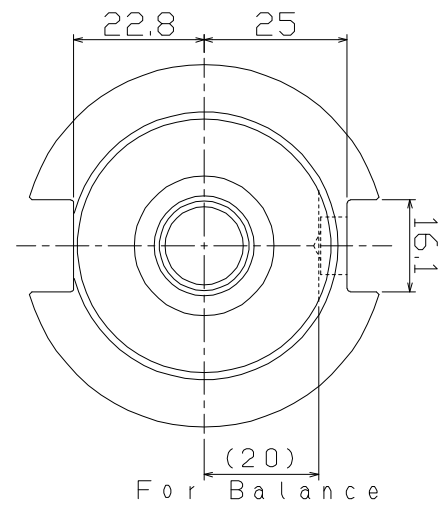


Symbol	Date	Revizy	Notice	Check
△×				
△×				
△×				
△×				

NIKKEN KOSAKUSHO WORKS., LTD. All Rights Reserved.

BALLUFF
BIS-C122-04/L
Not supplied by NIKKEN.



KIND	C3/4-2B	TITLE	MULTI LOCK MILLING CHUCK	CUSTOMER	
MACHINE MODEL	NCAT40-C3/4-85U-1DU	CODE NO.		DESIGNED	Isobama
SCALE	1/1			CHECKED	
DATE	2017.04.14			APPROVED	
		NIKKEN KOSAKUSHO WORKS, LTD.		DIR-NAME	MCA1
				DRWG. NO.	MCA33-47007/0