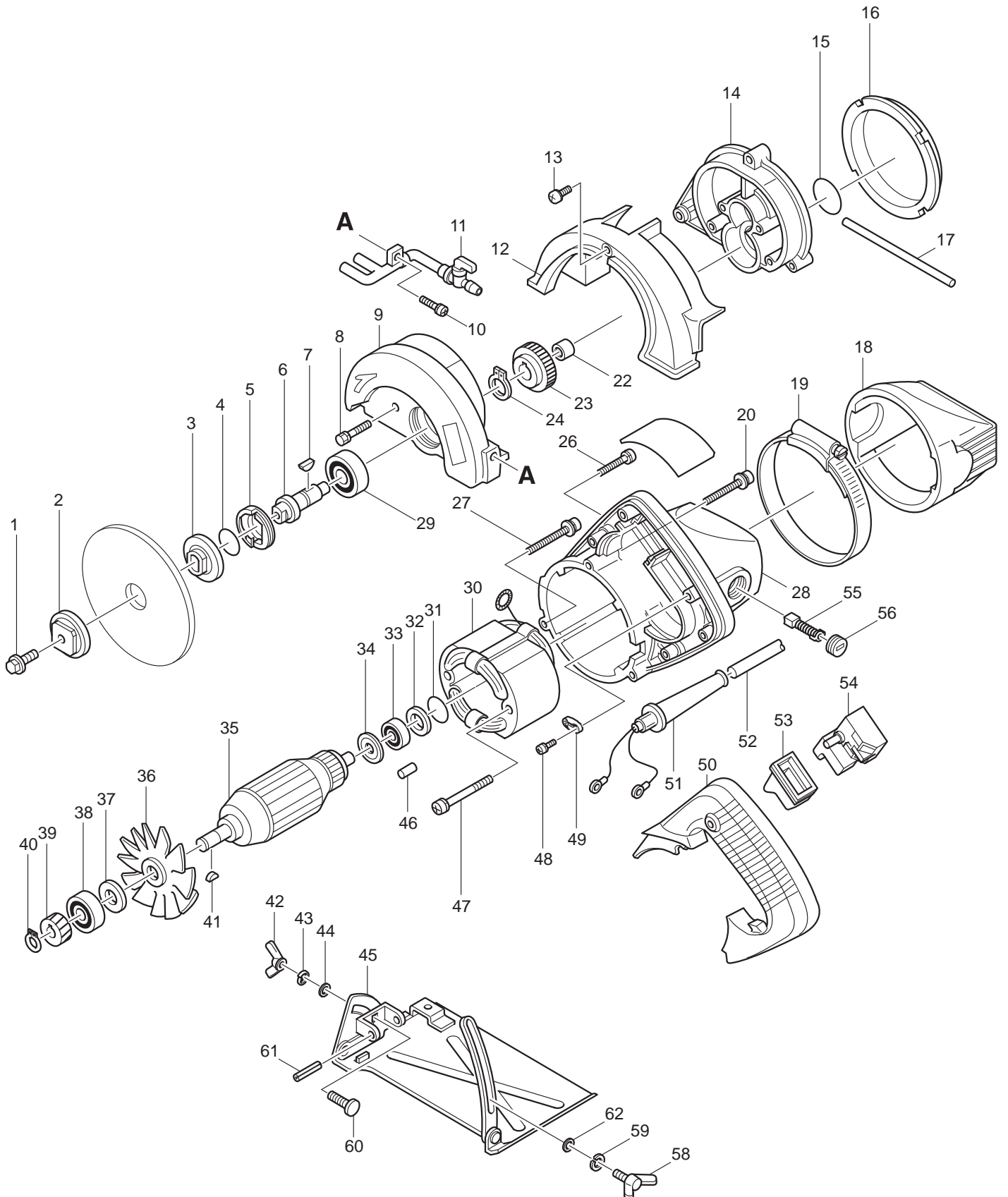




02 - 2010  
4101RH  
5" TILE CUTTER



Item No.	Type	Sub	Part No.	Description	Qty	Unit
001			266133-3	HEX. SOCKET HEAD BOLT M6X20	1	PC.
002	1		224081-2	OUTER FLANGE 36	1	PC.
	2		224414-1	OUTER FLANGE 36	1	PC.
003	1		224080-4	INNER FLANGE 36	1	PC.
	2		224413-3	INNER FLANGE 36	1	PC.
004			213255-0	O RING 18	1	PC.
005			285815-8	BEARING RETAINER 19-33	1	PC.
006			321197-5	SPINDLE	1	PC.
007			254001-2	WOODRUFF KEY 4	1	PC.
008			925146-0	+ HEX. BOLT M4X25	4	PC.
009			151509-6	BLADE CASE COMPLETE	1	PC.
		INC.	810939-7	CAUTION LABEL	1	PC.
010			911123-8	PAN HEAD SCREW M4X14	1	PC.
011			153409-6	WATER SUPPLY PIPE COMPLETE	1	PC.
		INC.	213014-2	O RING 3	1	PC.
012			410910-7	COVER B	1	PC.
013			911203-0	PAN HEAD SCREW M5X8	1	PC.
014			150926-7	GEAR HOUSING COMPLETE	1	PC.
		INC.		ITEM NO. 15		
015			213407-3	O RING 26	1	PC.
016			415403-9	BAFFLE PLATE	1	PC.
017			423155-8	SEAL RUBBER	1	PC.
018			414074-9	COVER A	1	PC.
019			163282-6	CLAMP 90	1	PC.
020			911258-5	PAN HEAD SCREW M5X35	1	PC.
022			212004-2	NEEDLE BEARING 810	1	PC.
023			226420-2	HELICAL GEAR 42	1	PC.
024			961052-5	RETAINING RING S-12	1	PC.
025			851596-2	NAME PLATE F/4101RH	1	PC.
026			911148-2	PAN HEAD SCREW M4X25	4	PC.
027			911263-2	PAN HEAD SCREW M5X40	2	PC.
028			151771-3	MOTOR HOUSING COMPLETE	1	PC.
		INC.	643708-9	BRUSH HOLDER 5-11	2	PC.
		INC.	818572-9	EARTH MARK LABEL	1	PC.
		INC.		ITEM NO. 46		
029			211129-9	BALL BEARING 6201DDW	1	PC.
030			522841-9	FIELD ASS'Y 115V	1	PC.
		INC.	654020-2	RING TERMINAL	2	PC.
		INC.	654502-4	CONNECTOR P-2	2	PC.
031			213262-3	O RING 18	1	PC.
032			253192-6	FLAT WASHER 14	1	PC.
033			211033-2	BALL BEARING 608LB	1	PC.
034			681613-2	INSULATION WASHER	1	PC.
035			518624-3	ARMATURE ASS'Y 115V	1	PC.
		INC.		ITEM NO. 33,34,36-38		
036			240007-6	FAN 68	1	PC.
037			253741-9	FLAT WASHER 9	1	PC.
038	2		210042-8	BALL BEARING 629LLB	1	PC.
039			226419-7	HELICAL GEAR 19	1	PC.
040			961004-6	RETAINING RING S-8	1	PC.
041			254002-0	WOODRUFF KEY 3	1	PC.
042			252623-2	WING NUT M6	1	PC.
043			942151-2	SPRING WASHER 6	1	PC.
044			941151-9	FLAT WASHER 6	1	PC.
045			168216-4	BASE	1	PC.
046			263002-9	RUBBER PIN 4	1	PC.
047			911290-9	PAN HEAD SCREW M5X65	2	PC.
048			911133-5	PAN HEAD SCREW M4X18	2	PC.

Item No.	Type	Sub	Part No.	Description	Qty	Unit
049			687063-9	CORD CLAMP (STRAIN RELIEF)	1	PC.
050			152597-6	HANDLE COVER COMPLETE	1	PC.
		INC.	421459-2	DUST COVER	1	PC.
051			682502-4	CORD GUARD 8-85	1	PC.
052			699012-4	POWER SUPPLY CORD UNIT	1	PC.
		INC.	652756-7	RESIDUAL CURRENT DEVICE	1	PC.
053			421329-5	DUST COVER	1	PC.
054			651252-2	SWITCH SGES215C	1	PC.
055	2		194996-6	CARBON BRUSH CB-303 2PC/SET (W/ ORIGIN)	1	SET
056			643755-0	HOLDER CAP	2	PC.
058			251886-7	WING BOLT M6X10	1	PC.
059			942151-2	SPRING WASHER 6	1	PC.
060			251919-8	CAP SQUARE NECK BOLT M6X20	1	PC.
061			951219-3	SPRING PIN 6-32	1	PC.
062			941151-9	FLAT WASHER 6	1	PC.
063			654532-5	TERMINAL BLOCK 1P	1	PC.
064			632829-2	LEAD UNIT	1	PC.
065			652014-1	PAN HEAD SCREW M4X8	1	PC.
100			652008-6	P.H. SCREW M3.5 X 7	4	PC.
101			654037-5	INSULATED EYE TERMINAL FT1.25-M3	4	PC.
102			654077-3	INSULATED TERMINAL FK2-M3D-5.5	1	PC.

### ACCESSORIES

A01			410047-0	WRENCH HOLDER 5.6	1	PC.
A02			412087-4	VINYL TUBE 4	1	PC.
A03			165263-6	WATER SUPPLY PLUG	1	PC.
A04			A-90934	125MM DIAMOND WHEEL(RIM/WET) (Old# A-90598)	1	PC.
A05			781011-1	WRENCH 22	1	PC.
A06			783203-8	HEX. WRENCH 5	1	PC.
A07			165264-4	PRESSURE REGULATOR	1	PC.
A08			164095-8	GUIDE RULE	1	PC.
A09			924206-5	SCREW M5X10 F/ GUIDE RULE (Item No. A08)	1	PC.

### SERVICE CHANGES

#### 1. Changes on Outer Flange and Inner Flange

Item No.	Description	Type 1	Type 2
2	Outer Flange 36	224081-2	224414-1
3	Inner Flange 36	224080-4	224413-3

Above parts are completely interchangeable as a set.

Depth of concave: 1.5mm → 0.2mm



Inner flange 36

Outer flange 36

#### 2. Changes on Pipe Complete

Item No.	Description	Type 1	Type 2
11	Pipe Complete / Water Supply Pipe Complete	150172-2	153409-6
		