

New Product Announcement | Series RT

Made in USA 

Non-Corrosive Fluid Path Hose Reels Series RT

Reelcraft now offers a non-corrosive fluid path option on our popular Series RT reels. These reels are designed to be lighter weight, but rigid enough to withstand industrial use. They are ideal for wall, ceiling, floor, pit or truck mount.

Benefits

- **Lighter Weight** - Composite spool reduces overall weight but maintains structural strength.
- **Added Stability** - Structural reinforcements throughout make this a robust reel and eliminate the need for a dual base.
- **Long Service Life** - Stainless torsion spring ensures maximum life and requires little maintenance.
- **Reduced Wear** - By design, the ratchet and latch pawl are substantially thicker than competing reels to reduce wear and increase service life.
- **High Corrosion Resistance** - Spool is made from an engineered composite material. Fluid path is either all stainless or stainless shaft and CPVC swivel. Base and guide arm are powder coated for maximum corrosion resistance.

Related Products

Reelcraft offers a complete line of over 2,500 hose, cord and cable reels. For a complete product listing visit us online at www.reelcraft.com or call toll free 800-444-3134.



RT605-OLB



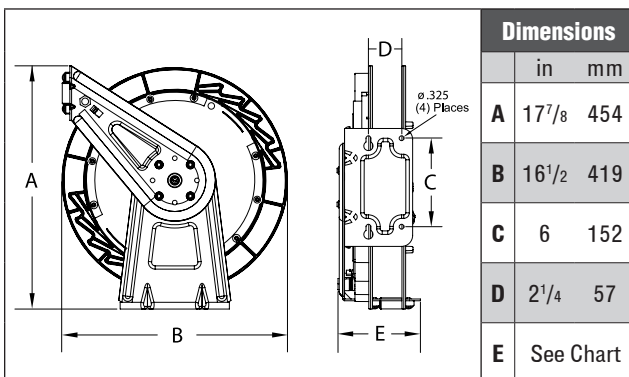
S602062-2

Stainless swivel on most models.



S602064-1

CPVC swivel on all models with an asterisk (*).



Model without hose	Shipping Weight		Pressure		Hose I.D.		Hose O.D.		NPT(F) Reel Inlet	Hose Length		E	
	lbs	kg	psi	bar	in	mm	in	mm	in	ft	m	in	mm
RT402-OLB	19	9	300	21	1/4	6	.475	12	3/8	25	8	5 ³ / ₄	146
RT403-OLB	19	9	300	21	1/4	6	.475	12	3/8	35	11	5 ³ / ₄	146
RT405-OLB	21	10	300	21	1/4	6	.475	12	3/8	50	15	5 ³ / ₄	146
RT602-OLB	19	9	300	21	3/8	10	.600	15	3/8	25	8	5 ³ / ₄	146
RT603-OLB	19	9	300	21	3/8	10	.600	15	3/8	35	11	5 ³ / ₄	146
RT605-OLB*	23	11	100	7	3/8	10	.600	15	1/2	50	15	6 ¹ / ₄	159
RT802-OLB*	23	11	100	7	1/2	13	.750	19	1/2	25	8	6 ¹ / ₄	159
RT803-OLB*	23	11	100	7	1/2	13	.750	19	1/2	35	11	6 ¹ / ₄	159
RT805-OLB*	28	13	100	7	1/2	13	.750	19	1/2	50	15	7 ³ / ₄	197

*Models feature CPVC swivel and stainless shaft. All other models are stainless steel shaft and swivel.

SPECIFICATIONS

- Maximum operating temperature 150 °F (65 °C)
- Spool is made from lighter weight engineered polymer
- Full flow shaft and swivel
- Base and guide arm are made from heavy gauge steel stampings and reinforced with structural ribbing
- Vibration proof self-locking fasteners assure assembly integrity
- Latching mechanism is mounted on guide arm to prevent latch-out at full hose extension
- Specially conditioned drive spring
- 2-year factory warranty

Customer Service: 1.855.634.9109
All Other Calls: 1.800.444.3134

www.reelcraft.com
reelcraft@reelcraft.com



New Product Announcement | Series 5000 / 5005 / 7000 / 9000

Non-Corrosive Fluid Path Hose Reels Series 5000 / 7000 / 9000

The non-corrosive fluid path option offers another level of protection in corrosive environments. Any of the below models designated with an "OLB" ending feature a stainless steel main shaft and swivel. Standard Seals are Buna but EPR and Viton are available at additional cost. Reels are shipped less hose and bumper.

Benefits

- **Versatility** - Guide arm easily adjust to multiple positions and require only standard tools (excludes D9000, payout must be specified at time of order).
- **Stability** - Heavy gauge steel and structural reinforcements throughout make these reels robust.
- **Reliability** - Field proven cast aluminum ratchet and latch pawl provide reliability and durability (5600 OLS features quiet speed latching mechanism).
- **Long Service Life** - Stainless steel main shaft and swivel full flow performance and require little maintenance.
- **High Corrosion Resistance** - Steel components are individually powder coated prior to assembly to maximize coverage and corrosion resistance.

Related Products

The next step in corrosion resistance for highly corrosive environments is Reelcraft's stainless steel line (shown below). Additionally, Reelcraft offers the most comprehensive line of hose, cord and cable reels. For a complete product listing visit us online at www.reelcraft.com or call toll free 800-444-3134.

Made in USA 



5600 OLB



7800 OLB



D9400 OLB BW



Model without hose	Shipping Weight		Pressure		Hose I.D.		Hose O.D.		NPT(F) Reel Inlet	Hose Length	
	lbs	kg	psi	bar	in	mm	in	mm		in	ft
Series 5000 / 5005											
5600 OLB	21	10	300	21	3/8	10	.600	15	3/8	35	8
5605 OLB	31	14	300	21	3/8	10	.600	15	3/8	50	15
Series 7000											
7600 OLB	41	19	300	21	3/8	10	.600	15	3/8	50	15
7800 OLB	44	20	300	21	1/2	13	.750	20	1/2	50	15
Series 9000											
D9400 OLB BW	115	52	50	15	1	25	1.375	35	1	50	15

SPECIFICATIONS

- Stainless steel main shaft and swivel
- Maximum operating temperature 150 °F (65 °C); for higher working temperatures consult factory
- Premium grade steel drive spring
- Base and guide arm are made from heavy gauge steel stampings and reinforced with structural ribbing
- Corrosion resistant baked-on powder coat finish
- Vibration proof self-locking fasteners assure assembly integrity
- 2-year factory warranty
- Full flow
- Buna O-rings

Customer Service: 1.855.634.9109
All Other Calls: 1.800.444.3134

www.reelcraft.com
reelcraft@reelcraft.com



REELCRAFT®