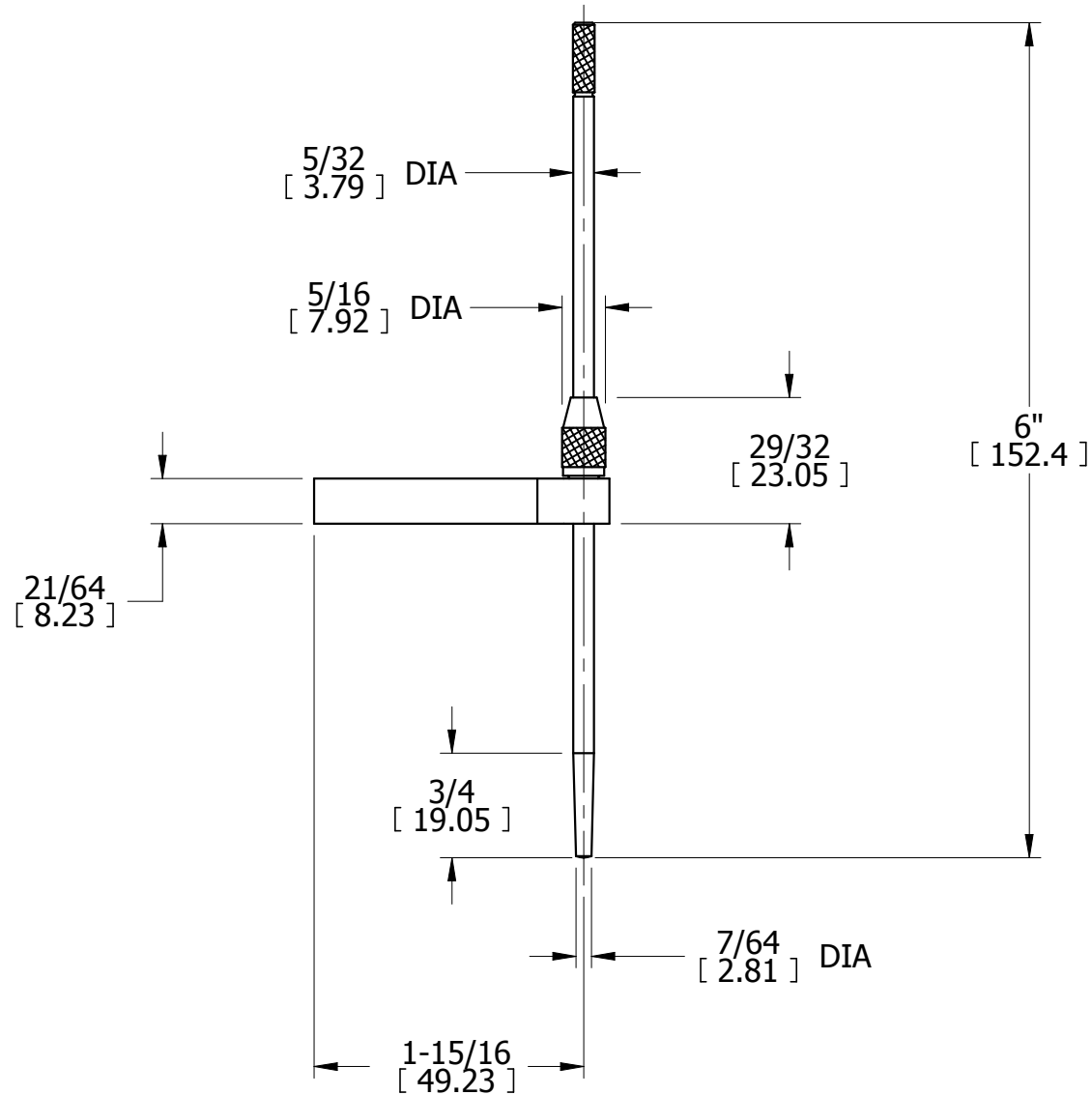
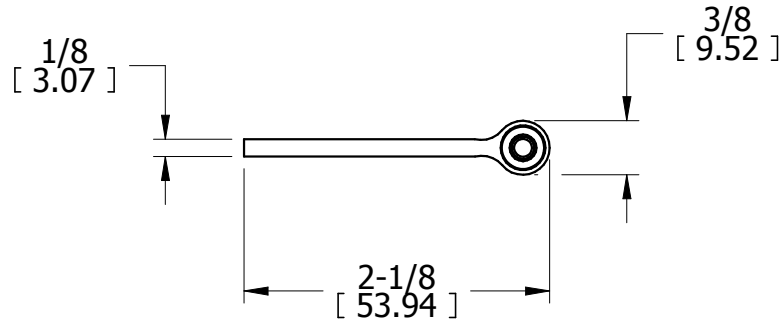


OPER

TOOLS




REV	DESCRIPTION	DATE	BY
-----	-------------	------	----

DR	EFL	CHK	DATE
----	-----	-----	------

**VERNIER HEIGHT GAGE  
DEPTH GAGE ATTACHMENT  
ASSEMBLY**

**THE L.S. STARRETT CO.  
ATHOL, MASS.**

FRACTIONAL TOLERANCE +- 1/64 UNLESS OTHERWISE NOTED