



PIDG

TE Internal #: 320570

PIDG, Splices, Splice, Splice, 12 – 10AWG Wire Size, 3 – 6mm<sup>2</sup> Wire Size, Standard

[View on TE.com >](#)

Terminals & Splices > Splices > PIDG BUTT SPLICES



Splice Product Type: **Splice**

Terminal & Splice Type: **Splice**

Wire Size: **3 – 6 mm<sup>2</sup>**

Sealable: **No**

[All PIDG BUTT SPLICES \(29\)](#)

**Features**

**Product Type Features**

Splice Product Type	Splice
Sealable	No
Splice Type	Butt Splice
Serrated	Yes
Splice Accessory Type	Splice
Splice Barrel Type	Closed Barrel
Splice Wire/Cable Type	Regular Wire
Insulated	Yes
Support Style	Insulation Support

**Configuration Features**

Number of Serrations	8
----------------------	---

**Body Features**

Insulation Sleeve Material	Nylon
Weight per Piece	3.8 g

Plating Material	Tin
Splice Features	Standard
Splice Material	Copper
Splice Color	Yellow - Translucent

#### Contact Features

Class	1 & 2
Contact Plating Material	Tin
Terminal & Splice Type	Splice

#### Mechanical Attachment

Wire Insulation Support	With
-------------------------	------

#### Dimensions

Wire Size	5180 – 13100 CMA
Splice Wire Insulation Diameter (Max)	5.59 mm[.22 in]
Splice Material Thickness	.56 mm[.022 in]
Splice Overall Length	41.91 mm[1.65 in]

#### Usage Conditions

Insulation Requirement	Fully Insulated
Operating Temperature Range	105 °C[221 °F]

#### Operation/Application

Heavy Duty	No
------------	----

#### Industry Standards

Government Qualified Splice	Yes
-----------------------------	-----

#### Packaging Features

Packaging Quantity	50
Splice Packaging Method	Loose Piece

#### Other

Military Category	Yes
-------------------	-----

#### Product Compliance

[For compliance documentation, visit the product page on TE.com>](#)

EU RoHS Directive 2011/65/EU	Compliant
------------------------------	-----------

EU ELV Directive 2000/53/EC

Compliant

China RoHS 2 Directive MIIT Order No 32, 2016

No Restricted Materials Above Threshold

EU REACH Regulation (EC) No. 1907/2006

Current ECHA Candidate List: JUL 2021  
(219)Candidate List Declared Against: JUL 2021  
(219)

Does not contain REACH SVHC

Halogen Content

Low Halogen - Br, Cl, F, I < 900 ppm per  
homogenous material. Also BFR/CFR/PVC  
Free

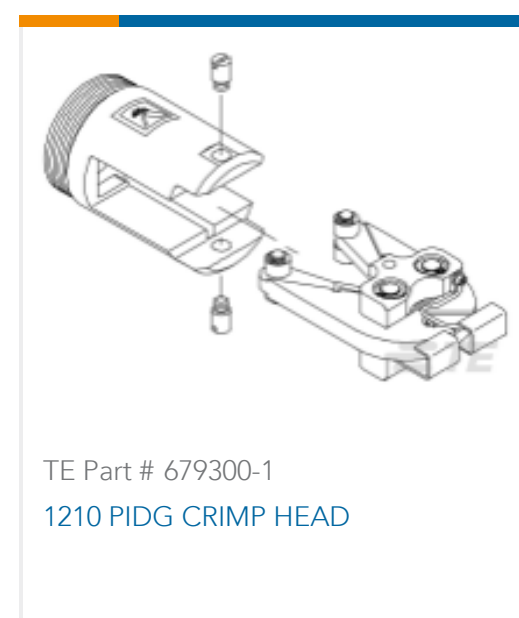
Solder Process Capability

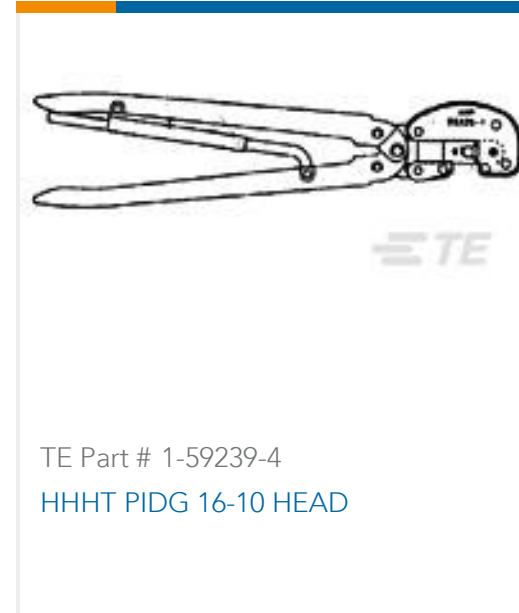
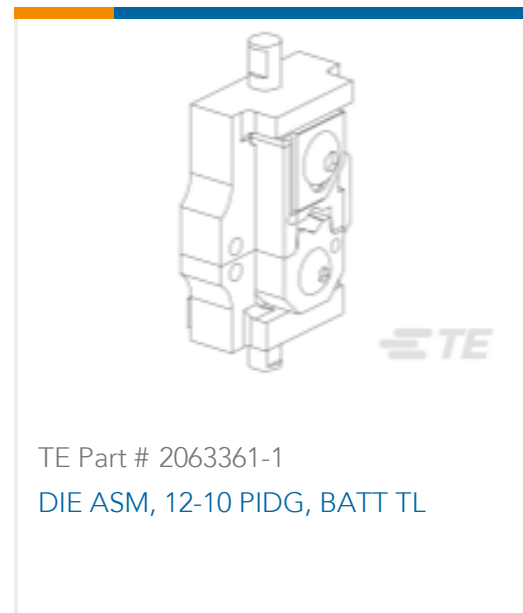
Not applicable for solder process capability

## Product Compliance Disclaimer

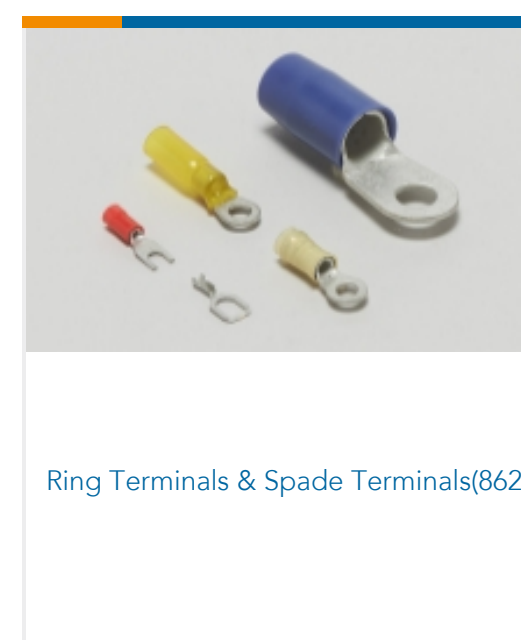
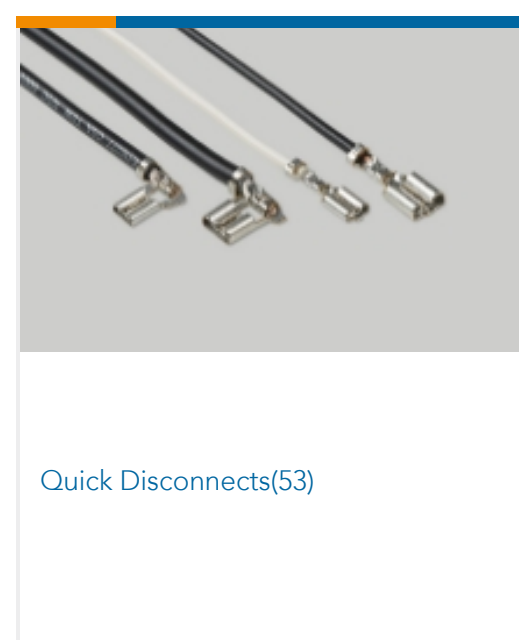
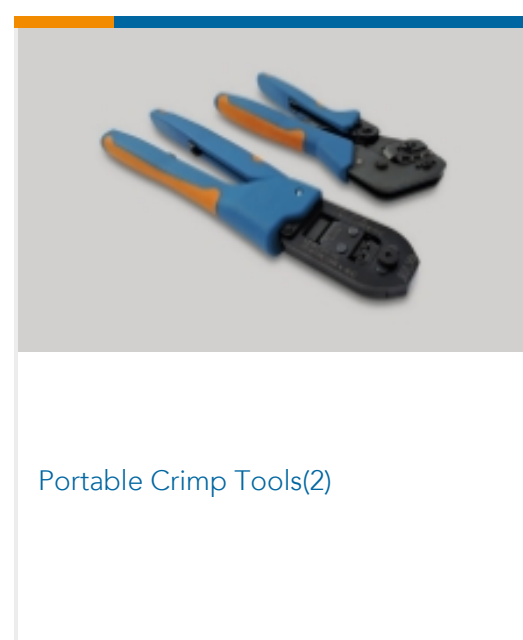
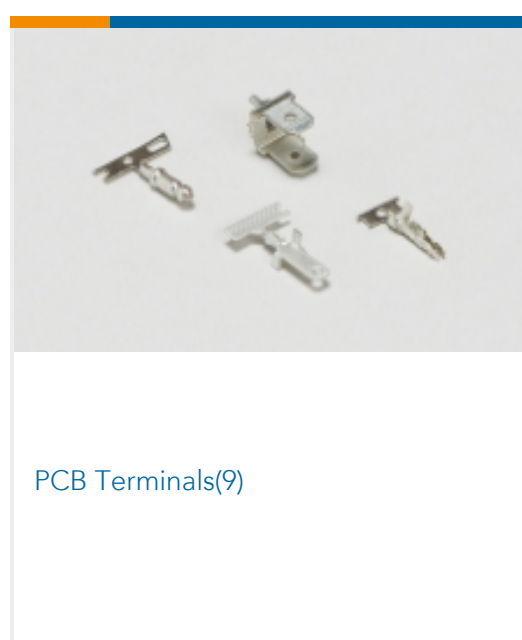
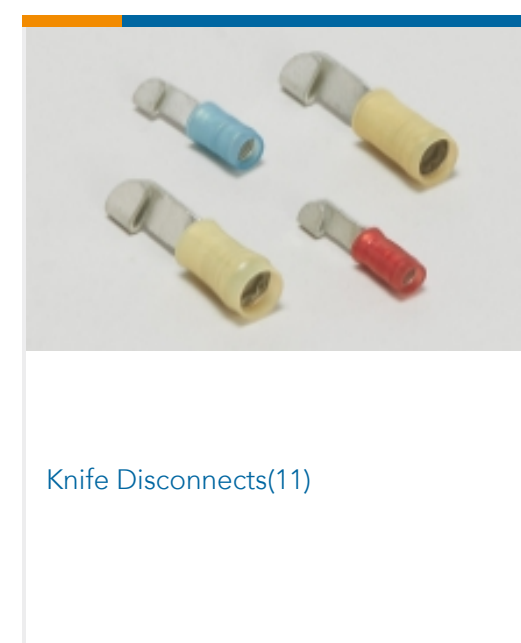
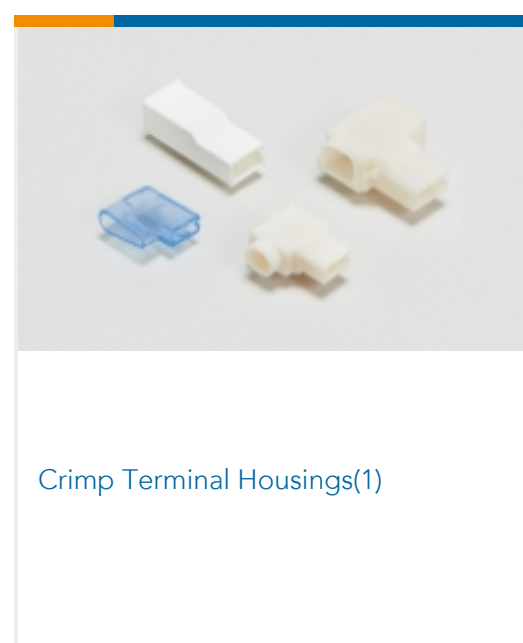
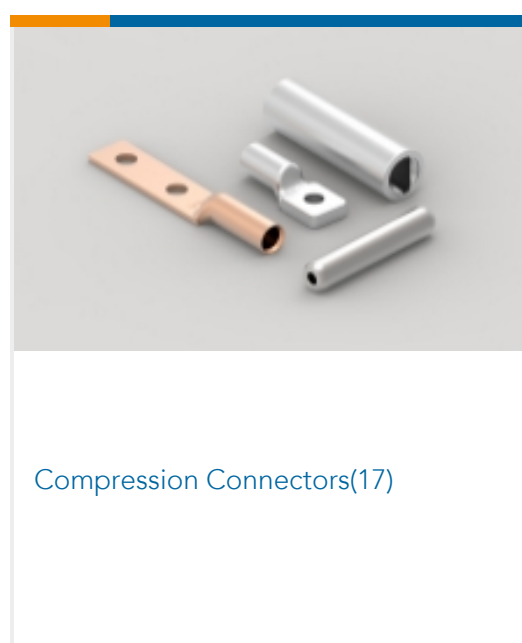
This information is provided based on reasonable inquiry of our suppliers and represents our current actual knowledge based on the information they provided. This information is subject to change. The part numbers that TE has identified as EU RoHS compliant have a maximum concentration of 0.1% by weight in homogenous materials for lead, hexavalent chromium, mercury, PBB, PBDE, DBP, BBP, DEHP, DIBP, and 0.01% for cadmium, or qualify for an exemption to these limits as defined in the Annexes of Directive 2011/65/EU (RoHS2). Finished electrical and electronic equipment products will be CE marked as required by Directive 2011/65/EU. Components may not be CE marked. Additionally, the part numbers that TE has identified as EU ELV compliant have a maximum concentration of 0.1% by weight in homogenous materials for lead, hexavalent chromium, and mercury, and 0.01% for cadmium, or qualify for an exemption to these limits as defined in the Annexes of Directive 2000/53/EC (ELV). Regarding the REACH Regulation, the information TE provides on SVHC in articles for this part number is based on the latest European Chemicals Agency (ECHA) 'Guidance on requirements for substances in articles' posted at this URL: <https://echa.europa.eu/guidance-documents/guidance-on-reach>

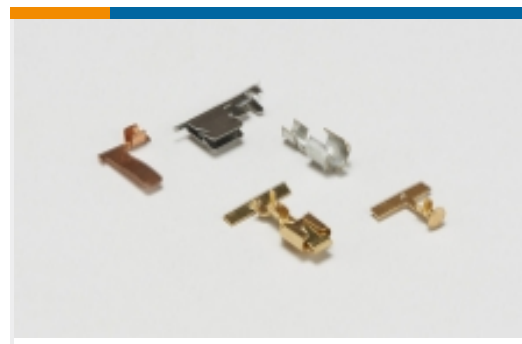
## Compatible Parts





## Also in the Series | PIDG



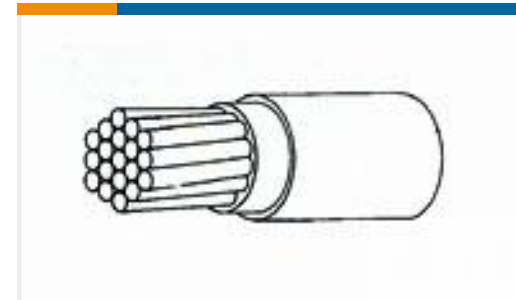
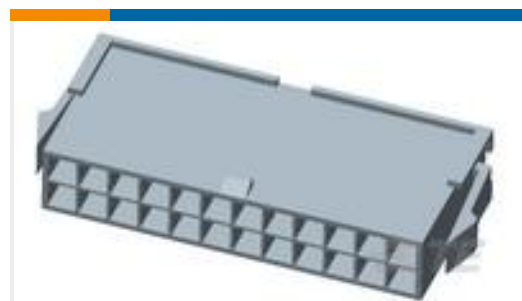
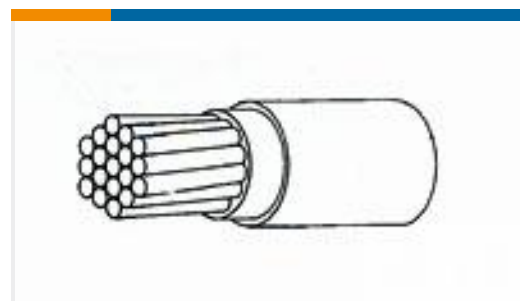


Special Purpose Terminals(1)



Splices(48)

## Customers Also Bought

TE Part #2-320562-3  
SPLICE BUTT PIDG 16-14; TAPETE Part #1-331456-0  
TERMINAL,T-N R 4 10TE Part #100503L  
CONT SOC ASSYTE Part #218204-001  
22759/34-20-9TE Part #2-1969613-4  
24P PM PLUG VAL-U-LOK V0TE Part #218203-002  
22759/34-22-9TE Part #2-1423162-9  
7022BK=RLY,STD,OFF,M2P,240VAC,TE Part #1643903-2  
CC 3000 -Crown Clip Senior II 3000W  
ConnTE Part #ZPF000000000019780  
FDBA 56-8-33 SN-K

## Documents

### Product Drawings

[SPLICE BUTT PIDG 12-10](#)

English

### CAD Files

[3D PDF](#)

3D

[Customer View Model](#)

[ENG\\_CVM\\_CVM\\_320570\\_AB.2d\\_dxf.zip](#)



English

Customer View Model

[ENG\\_CVM\\_CVM\\_320570\\_AB.3d\\_igs.zip](#)

English

Customer View Model

[ENG\\_CVM\\_CVM\\_320570\\_AB.3d\\_stp.zip](#)

English

3D PDF

English

Customer View Model

[ENG\\_CVM\\_320570\\_U.3d\\_igs.zip](#)

English

Customer View Model

[ENG\\_CVM\\_320570\\_U.3d\\_stp.zip](#)

English

Customer View Model

[ENG\\_CVM\\_320570\\_U.2d\\_dxf.zip](#)

English

By downloading the CAD file I accept and agree to the [Terms and Conditions](#) of use.

---

### Datasheets & Catalog Pages

[PIDG TERMINALS & SPLICES Quick Reference Guide](#)

English

---

### Product Specifications

[Application Specification](#)

English

---

### Product Environmental Compliance

[MD\\_320570\\_032920181354\\_dmtec](#)

English

[MD\\_320570\\_032920181354\\_dmtec](#)

English

---

### Agency Approvals

[UL Report](#)

English

[UL Report](#)

English